



Charge Amps **Halo Pole Mount**

Installation manual

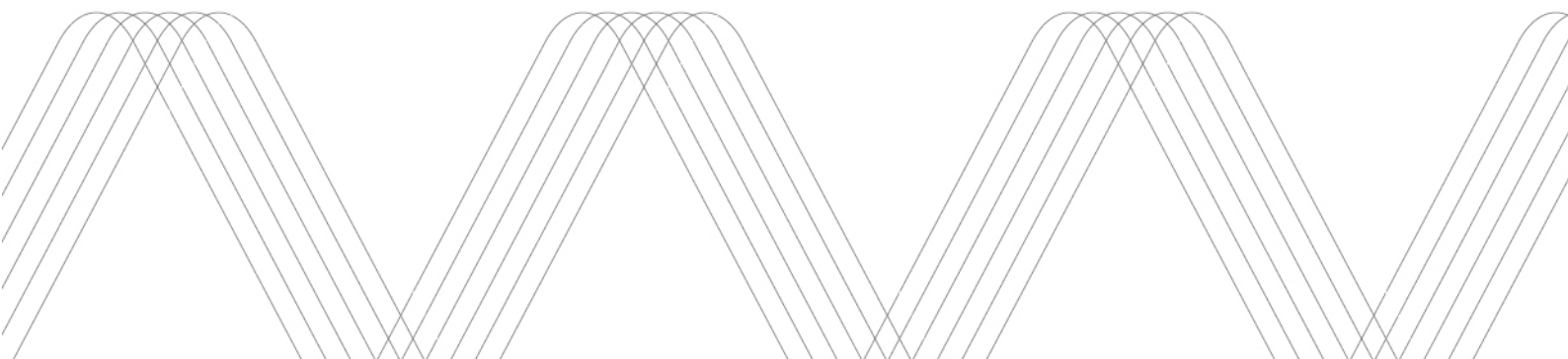




Table of Contents

Greetings installer!	3
About Halo Pole Mount	3
Contents of the package	3
Provided by the installer	4
Before installation	4
Tools	4
Installing the Halo Pole Mount	4
Installing the Halo	13
Rights	14

Greetings installer!

This installation manual is intended for qualified Halo Pole Mount installers and describes how to install the product safely and properly.

Installation may only be carried out by a qualified installer who follows:

- Basic safety precautions for safe and correct installation.
- Local, regional and national installation regulations.
- The instructions in this Halo Pole Mount installation manual.

About Halo Pole Mount

Halo Pole Mount expands your mounting options and allows you to place your charging station on a standard pipe of 60 millimeters. Maximum allowed diameter of the post is 61.0 millimeters.

Contact your supplier for more information about your specific Halo Pole Mount.

Contents of the package

- Halo Pole Mount
- Installation kit, zip-lock bag containing 3 pcs M6 x 12, 1 pcs M5 x 8, 1 pcs tooth washer M5, 4 pcs M4 x 16, 1 pcs key
- Installation manual

Provided by the installer

- Earth leakage circuit breaker (optional)
- Rail mounted terminal block (optional)
- Tools in the below section

Before installation

Make sure that the right conditions and materials are in place before installation. The installation must be done in accordance with the instructions in this installation manual as well as basic safety precautions.

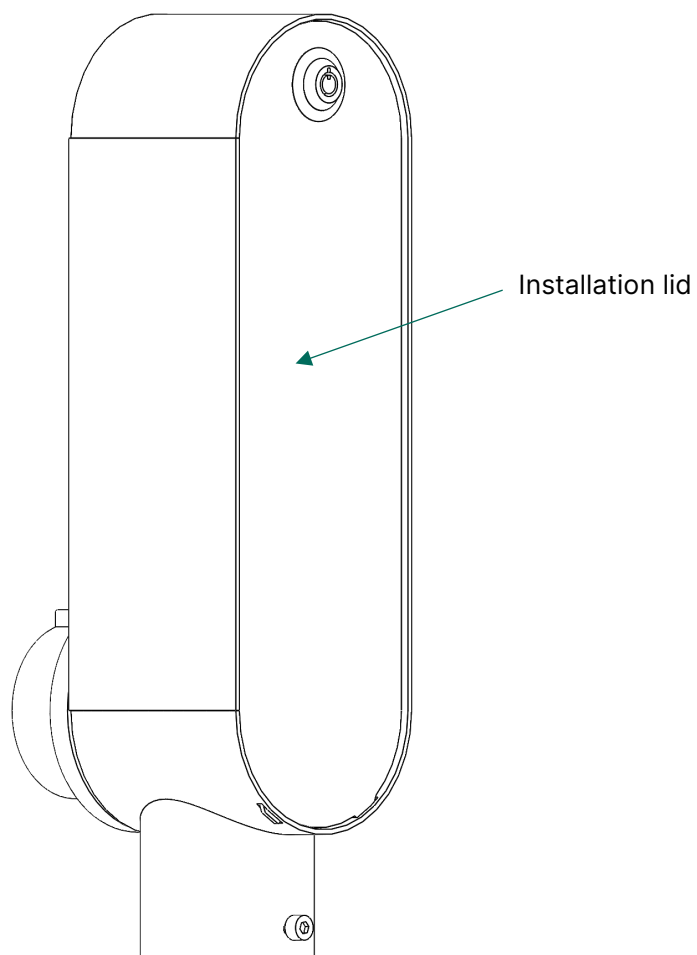
Tools

The following tools are needed for installation:

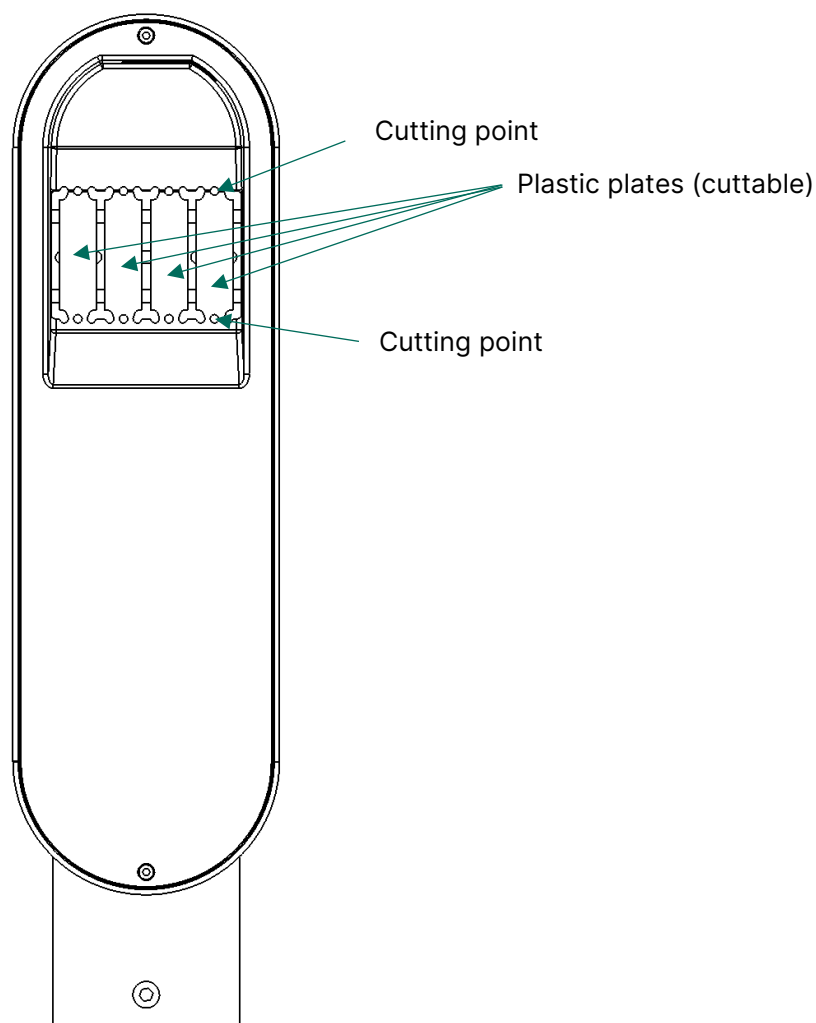
- Knife
- A screwdriver with the below torx sizes.
 - TX10 (M3 screw)
 - TX20 (M4 screw)
 - TX25 (M5 screw)
 - TX30 (M6 screw)

Installing the Halo Pole Mount

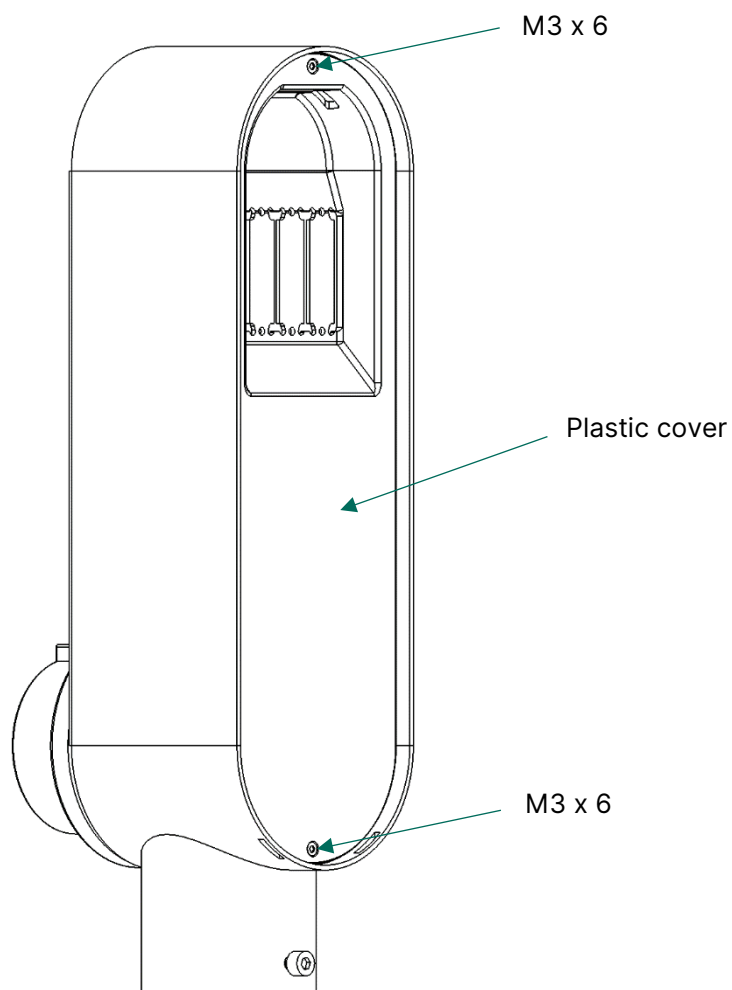
Install and mount the Halo Pole Mount as follows



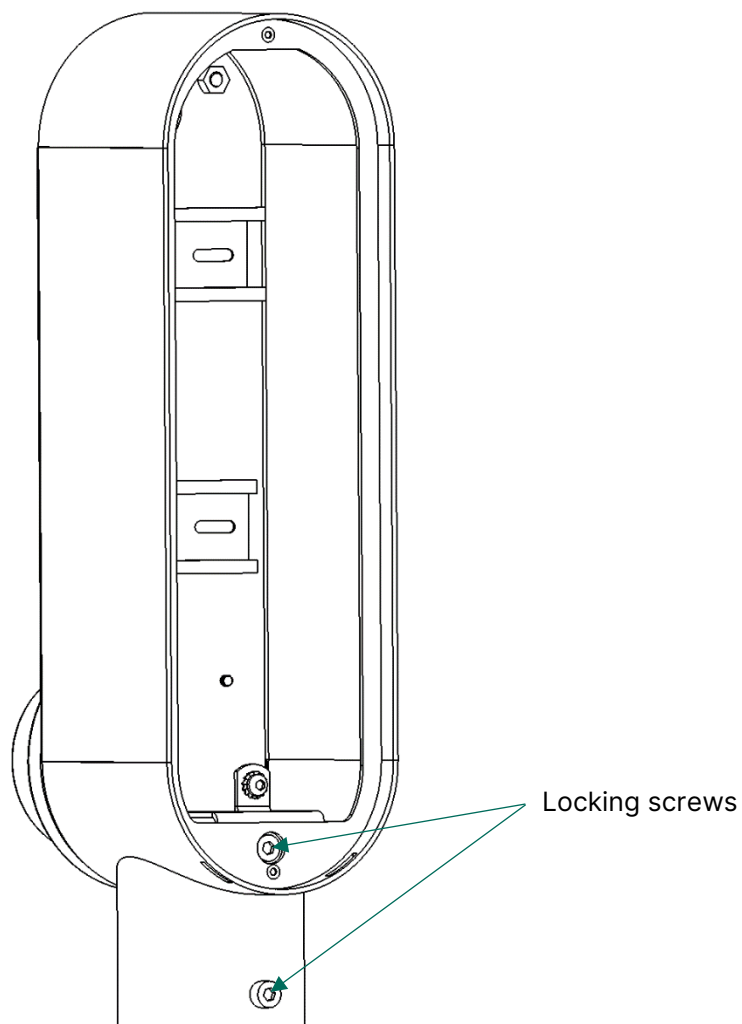
Unlock the installation lid and put aside.



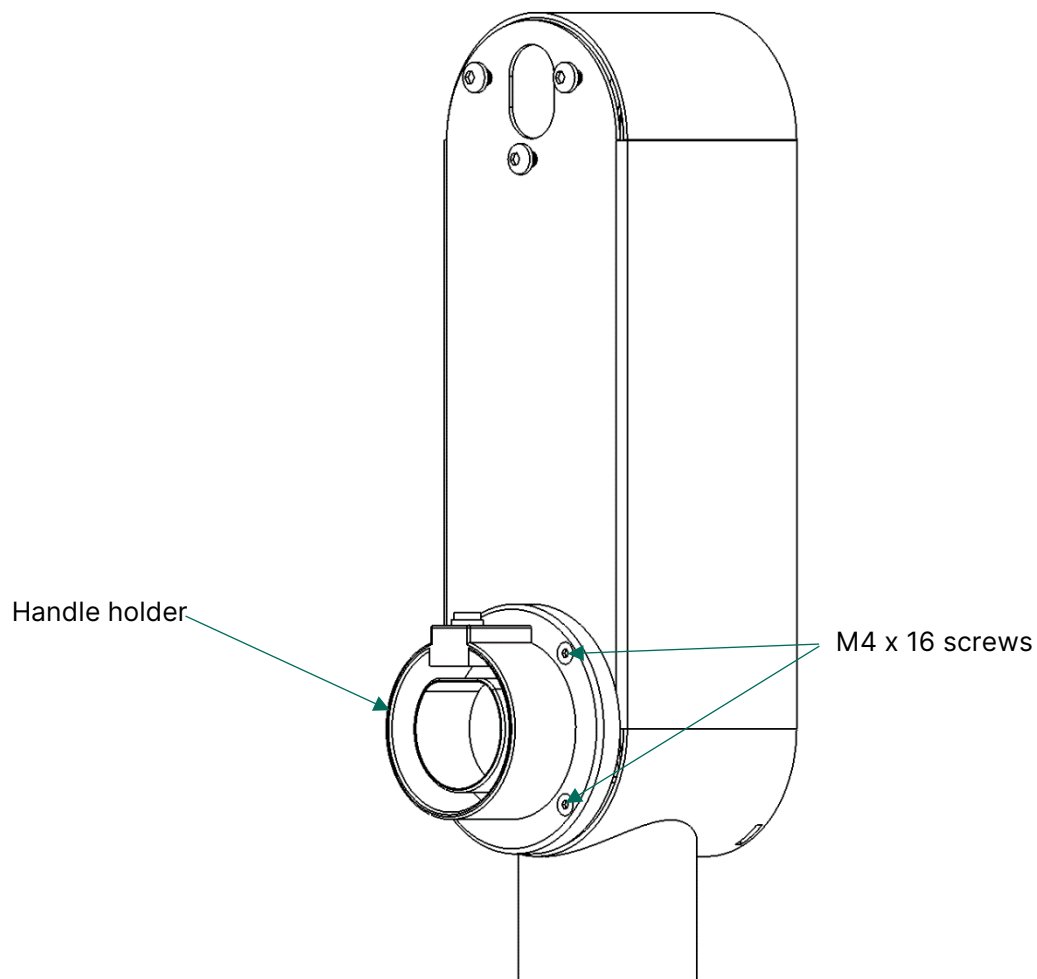
The plastic cover has four plastic plates that can be cut off if an earth leakage circuit breaker, ELCB, will be used. Measure the ELCB and cut away the plastic plates corresponding to the width. Cut the plates after the plastic cover has been removed and put aside, described in the picture below.



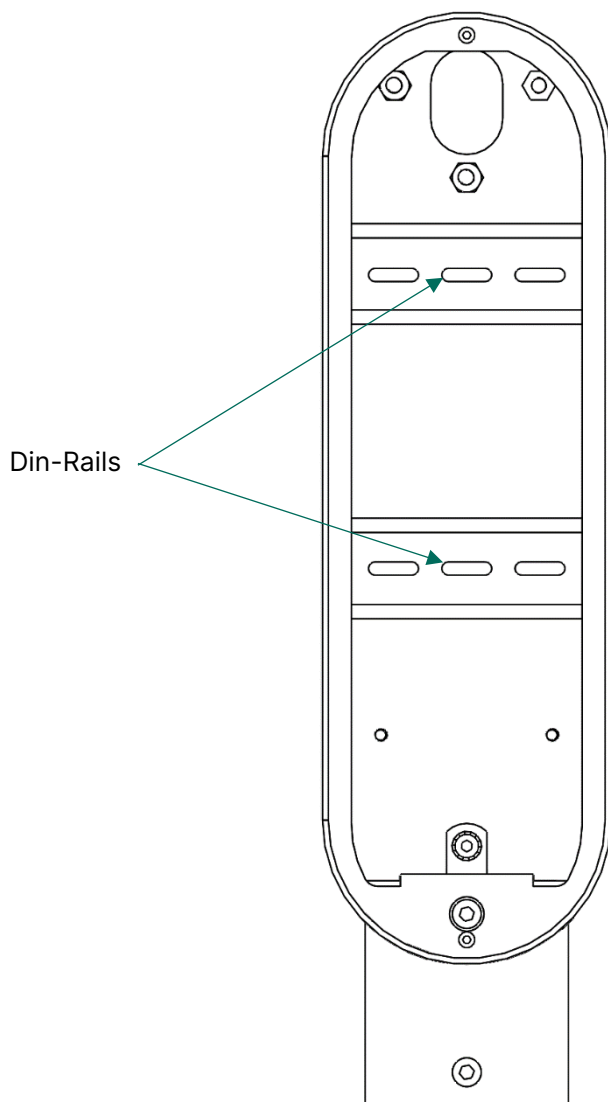
Unscrew the two M3 x 6 screws, remove the plastic cover and put aside.



Put the Halo Pole Mount in position on the pole and tighten the two locking screws.

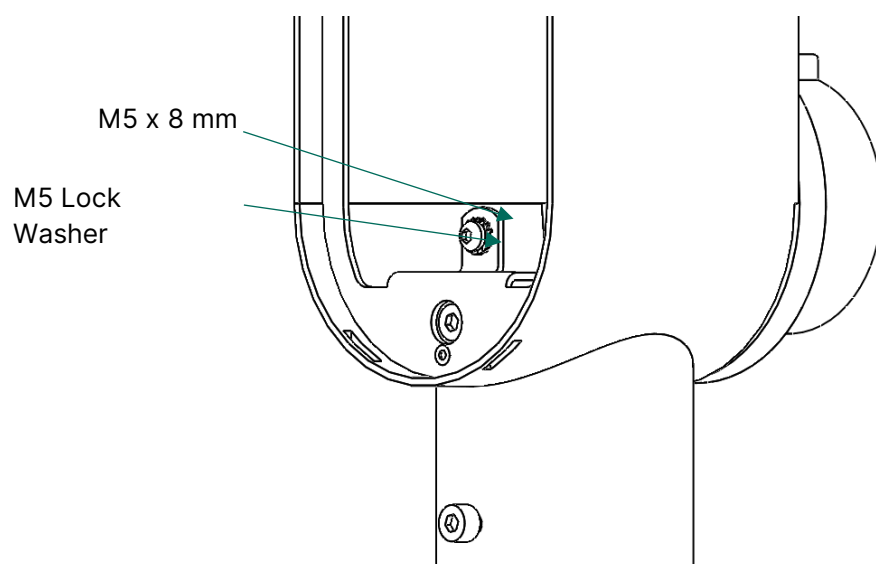


Mount the handle holder on Halo Pole Mount using the 4 pcs M4 x 16 screws in the installation kit.

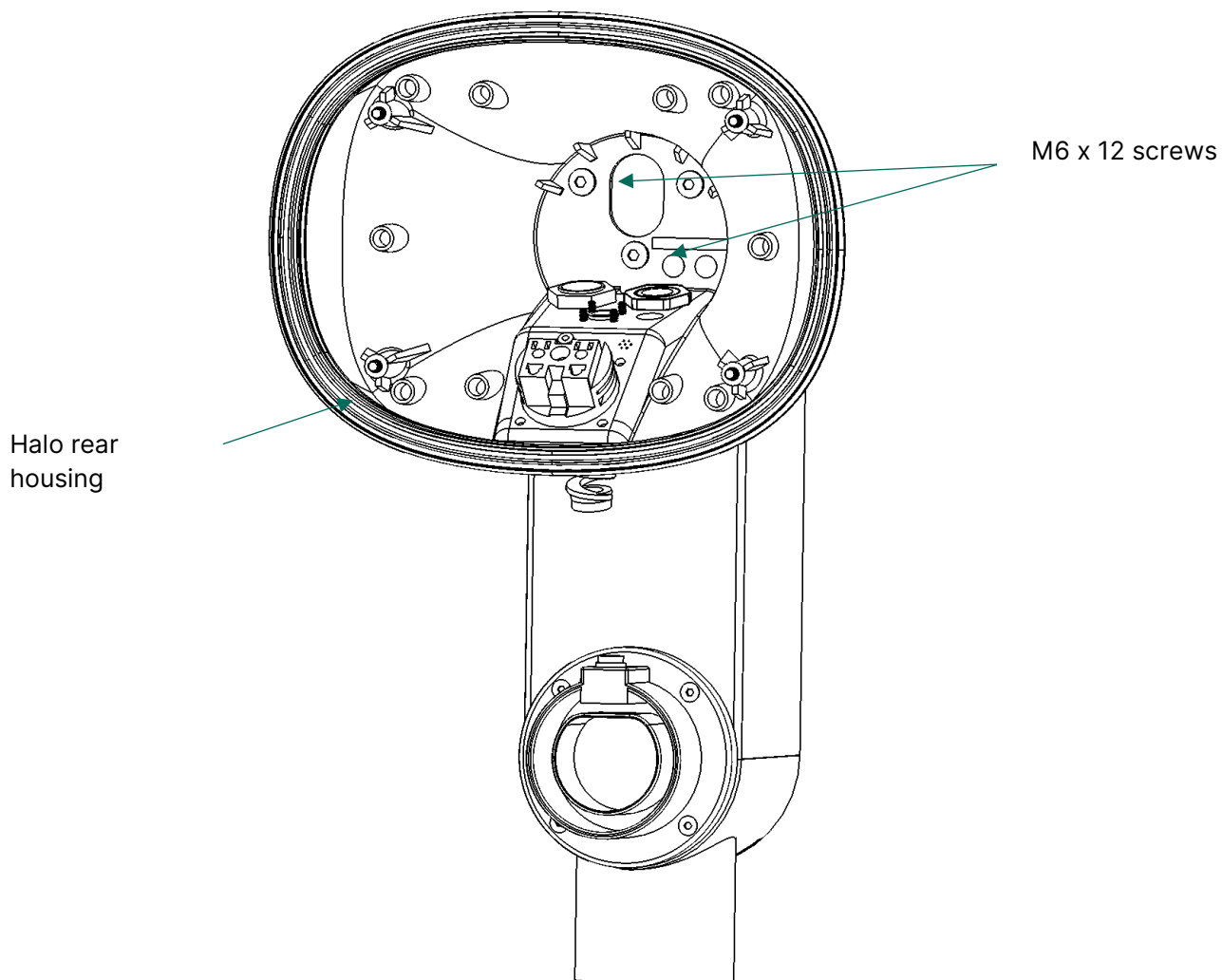


There will be two Din-rails preinstalled for potential add ins, such as a terminal block, EFCB etc.

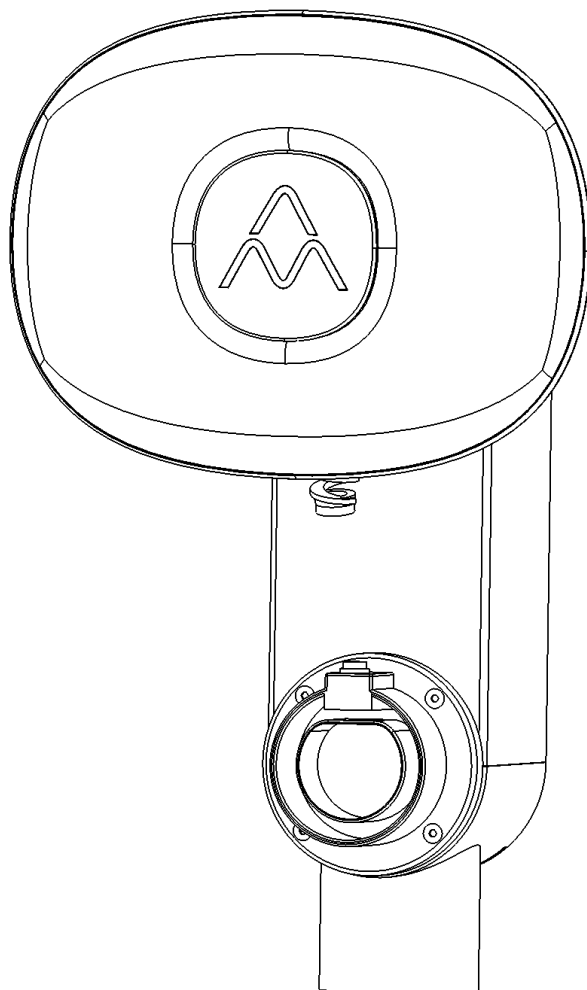
Keep in mind to mount the earth leakage circuit breaker on the upper DIN rail for easy access through the plastic cover.



Use M5 Screw / Washer to secure the Ground wire for the Pole Mount Chassi



Use the 3 pcs M6 x 12 screws in the installation kit to attach the Halo rear housing to the Halo Pole Mount. Remember to put the gasket from the halo package in between the halo rear housing and the Halo Pole Mount.



Installing the Halo

Install the Halo. See separate installation manual for Halo.

Reinstall the plastic cover using the two M3 x 6 screws. Use approx. 0.45 nm torque. Do not overtighten. If use of RCB the plastic cover can be modified to fit over the RCB.

Reinstall the installation lid and lock. The lid needs a slight push close to the lock when turning the key.

Rights

The information in this document has been checked for accuracy. Charge Amps AB reserves the right to make technical changes and changes to the contents of the document without prior notice. Charge Amps AB can not guarantee that all of the content of this particular document is accurate, up-to-date, and free from printing and proofreading errors. Moreover, Charge Amps AB cannot be held liable for any mistakes, near-misses, injuries/damage or incidents – direct or indirect – that can be linked to the use of the safety precautions or products in this document.

Charge Amps AB reserves all rights to this document, as well as the information and illustrations therein. It is strictly forbidden to – in whole or in part – copy, adapt or translate the information without prior written permission from Charge Amps AB.

© Copyright 2021, Charge Amps AB. All rights reserved.